

Installation drawings

HALDEN XXS

marking			length	pcs	
extra	WALL LOG 40x146		2480	1	
001	WALL LOG 40x146		2480	2	
002	WALL LOG 40x146	<i>includes 1 extra</i>	2280	48	
002A	WALL LOG 40x68		2280	2	
002B1	WALL LOG 40x146		2280	1	
002B2	WALL LOG 40x146		2280	1	
002C	WALL LOG 40x146		2280	2	
003C	WALL LOG 40x146		1900	2	
004C	WALL LOG 40x146		870	2	
005	WALL LOG 40x146		290	26	
	HAMMER BLOCK FOR 40 MM WALL			2	
AR-1	45x95 FLOOR FRAME		2070	1	
AR-2	45x95 FLOOR FRAME (CUTOUT FOR DRAINAGE)		2070	1	
AR-3	45x95 FLOOR FRAME (SPECIAL CROSS-SECTION)		1980	1	
AR-4	45x70 FLOOR FRAME		1980	1	
AR-5	45x95 FLOOR FRAME		1980	6	
PL-1	28x120 FLOOR BOARD		1960	18+3	
SR-1	45x145 ROOF RAFTER		2480	2	
KL-1	29x120 ROOF BOARD		2480	22+3	
RL-1	18x95 ROOF EDGE BOARD		~2550	4	
RL-2	45x45 ROOF EDGE SUPPORT BOARD		2480	2	
PP-1	18x45 FLOOR AND CEILING MOULDINGS		~2100	10	

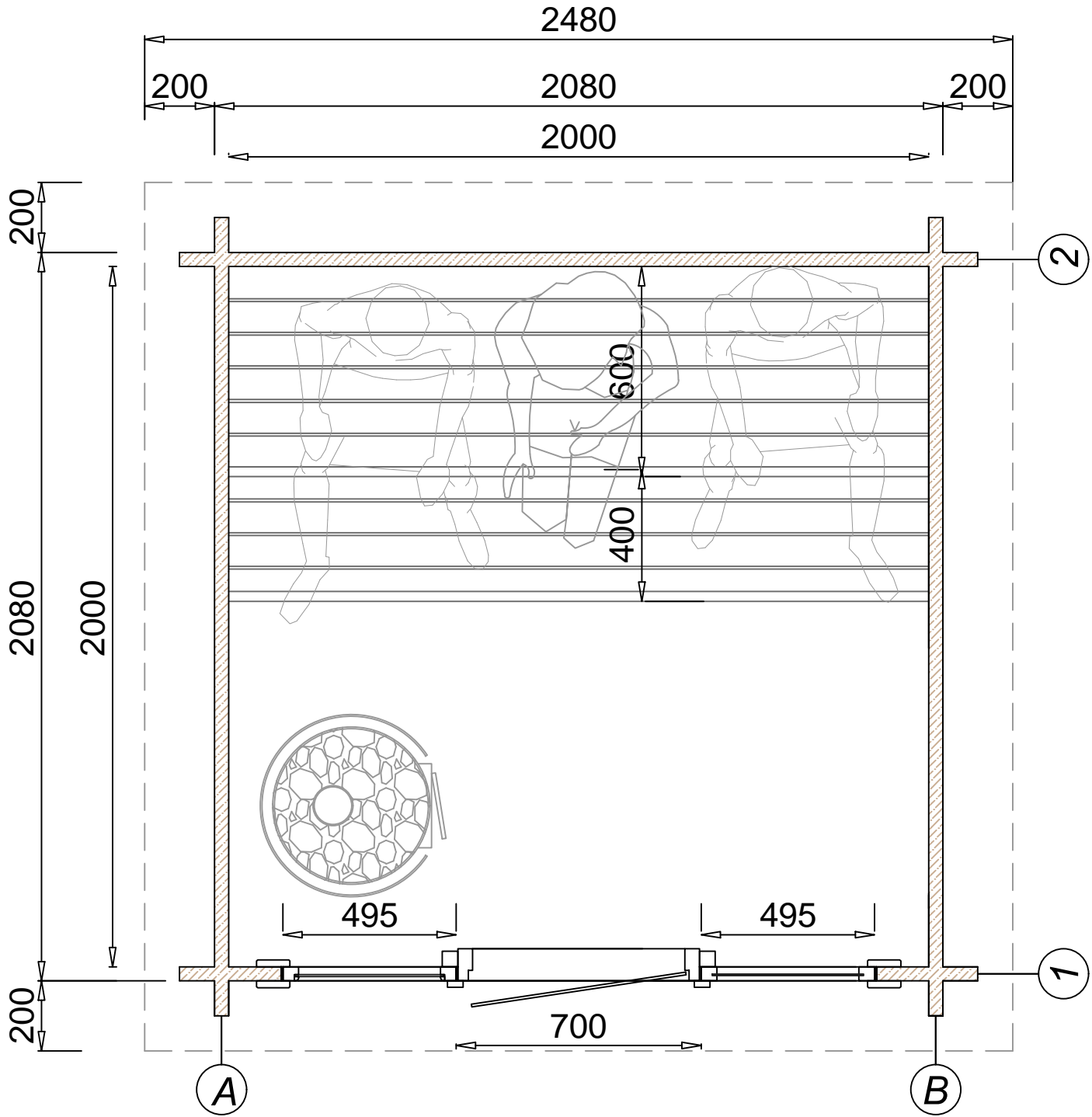
	WINDOW 42x495x1860 BRONZE			2	
	GLASS DOOR 92x690x1860 BRONZE (WITH SIDE SUPPORTS)			1	
UK-1	18x95 DOOR/WINDOW MOULDING		1910	3	
UK-2	18x95 DOOR/WINDOW MOULDING		1880	2	
UK-3	18x95 DOOR/WINDOW MOULDING		1650	1	
UK-4	18x70 WINDOW MOULDING		560	2	
UK-5	18x70 WINDOW MOULDING		435	2	
UK-6	18x45 DOOR/WINDOW MOULDING		1815	2	
extra	18x95 MOULDING		2100	2	
LM-1	UPPER BENCH MODULE 600x1992			1	
LM-2	LOWER BENCH MODULE 400x1992			1	
	HORIZONTAL BENCH SUPPORTS "HALDEN XXS"			1	
LT-1	45x45 EXTRA BENCH SUPPORT (FOR MIDDLE)		850	1	
	VENTILATION LOUVER WOOD D100			2	
	VENTILATION GRID METAL D100			2	
RN-1	WATER DRAINAGE GUTTER METAL		2000+	1	
	3 MM FLOOR SLOPE DETAIL		1995	1	
	6 MM FLOOR SLOPE DETAIL		1995	1	
	9 MM FLOOR SLOPE DETAIL		1995	1	
	12 MM FLOOR SLOPE DETAIL		1995	1	
	ROOF COVERING BASE LAYER		8,1 m2	1	
	ROOF SHINGLE BLACK		8,1 m2	4	
	LAST ROW ROOF SHINGLE		2,9 jm	3	
	SCREW 3,5x40 A2 FOR MOULDINGS			200	
	SCREW 4,8x90 A2 FOR CONNECTION WALL CORNERS			300	
	SCREW 4,2x55 FOR FLOOR BOARDS			200	

	SCREW 4,2x55 A2 FOR ROOF EDGE BOARDS			200	
	SCREW 4,5x70 ASSY FOR BENCH SUPPORTS AND ROOF SUPPORT			200	
	SCREW 5,0x90 ASSY FOR FLOOR FRAME AND WALL LOGS			200	
	SCREW 5,0x120 FOR WALL LOGS			50	
	SCREW 6x180 FOR WALL LOGS AND ROOF RAFTERS			50	
	NAIL FOR ROOF SHINGLES			8m2	
	NAIL 75 MM FOR ROOF BOARDS			~300	
	OPTION: EXTRA WINDOW 540x1100 WITH MOULDINGS			1	
	YOU MUST CUT THE HOLE TO THE WALL FOR EXTRA WINDOW				

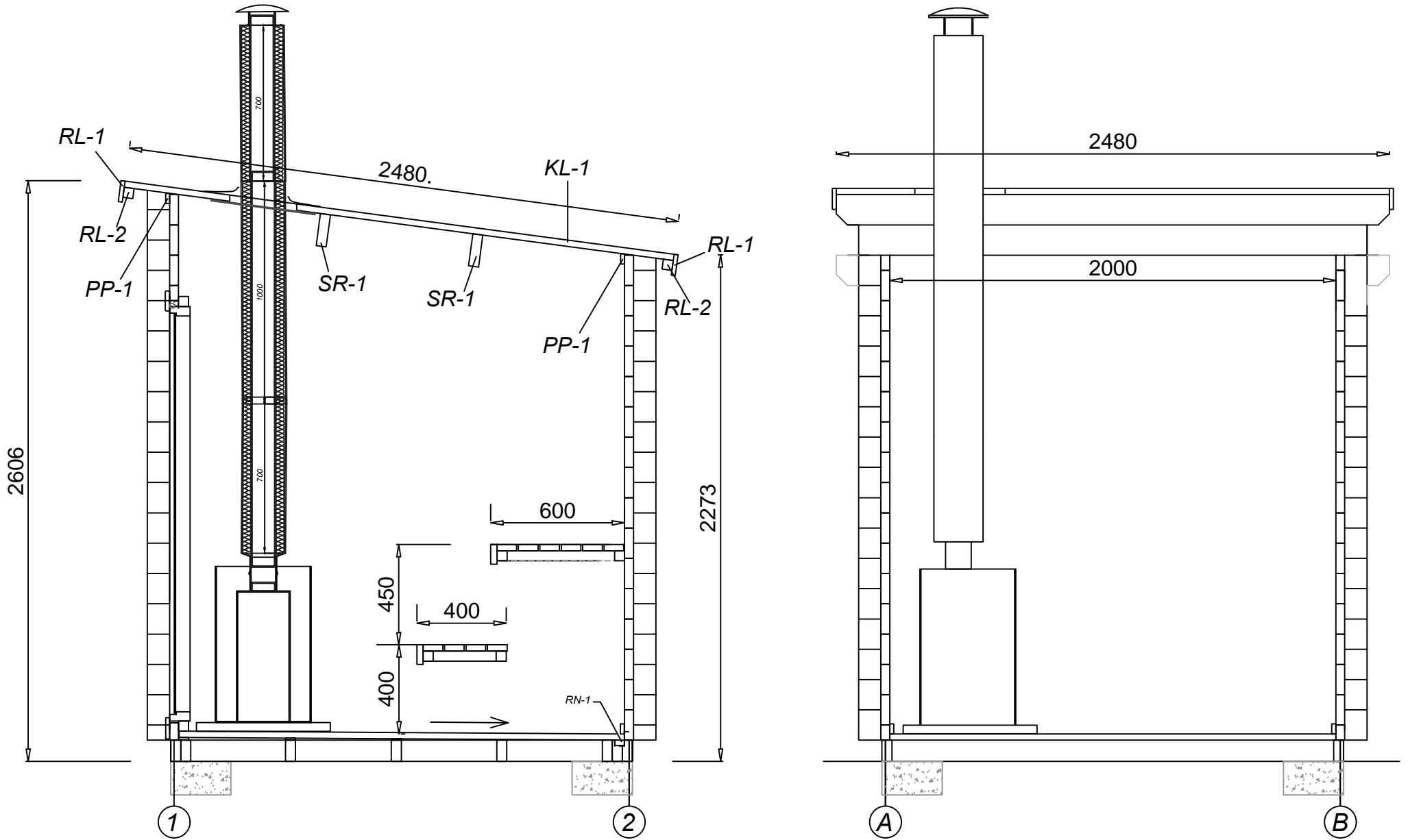
WALL LOGS Halden XXS

	<i>extra</i>	<i>1 pcs</i>	
	<i>001</i>	<i>2 pcs</i>	
	<i>002</i>	<i>48 pcs</i> <i>(includes 1 extra)</i>	
	<i>002A</i>	<i>2 pcs</i>	
	<i>002B1</i>	<i>1 pcs</i>	
	<i>002B2</i>	<i>1 pcs</i>	
	<i>002C</i>	<i>2 pcs</i>	
	<i>003C</i>	<i>2 pcs</i>	
	<i>004C</i>	<i>2 pcs</i>	
	<i>005</i>	<i>26 pcs</i>	

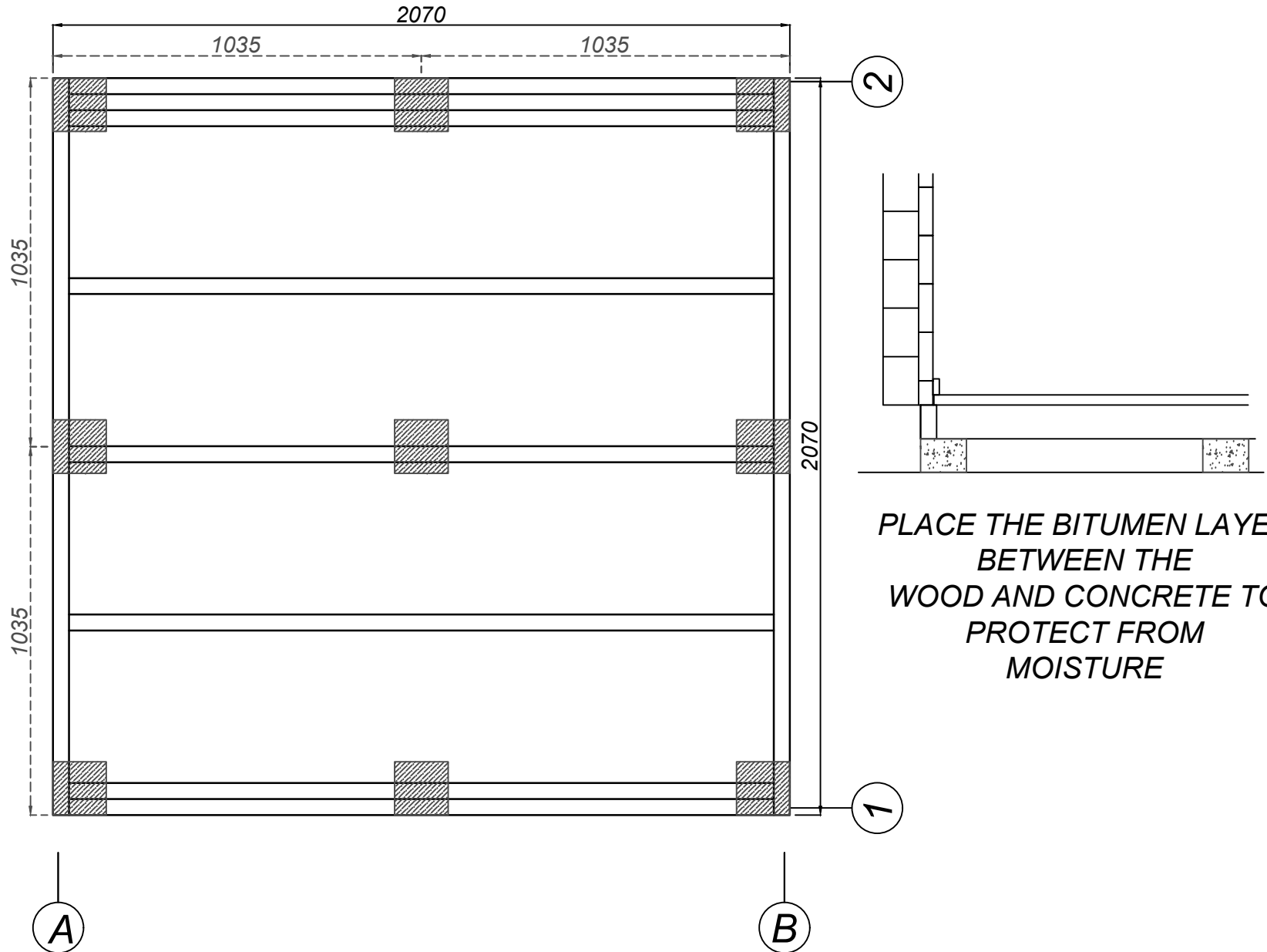
Halden XXS - TOP VIEW



Halden XS - CROSS SECTION

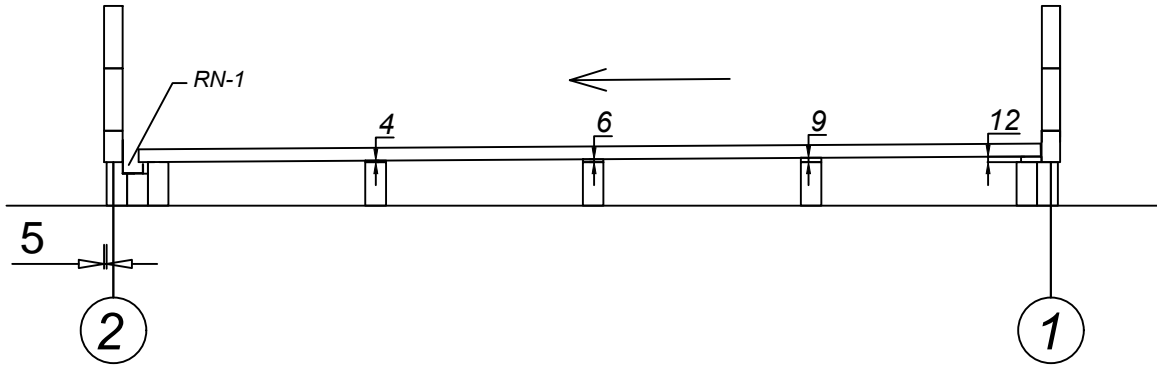


Halden XXS
BASEMENT POSITIONING

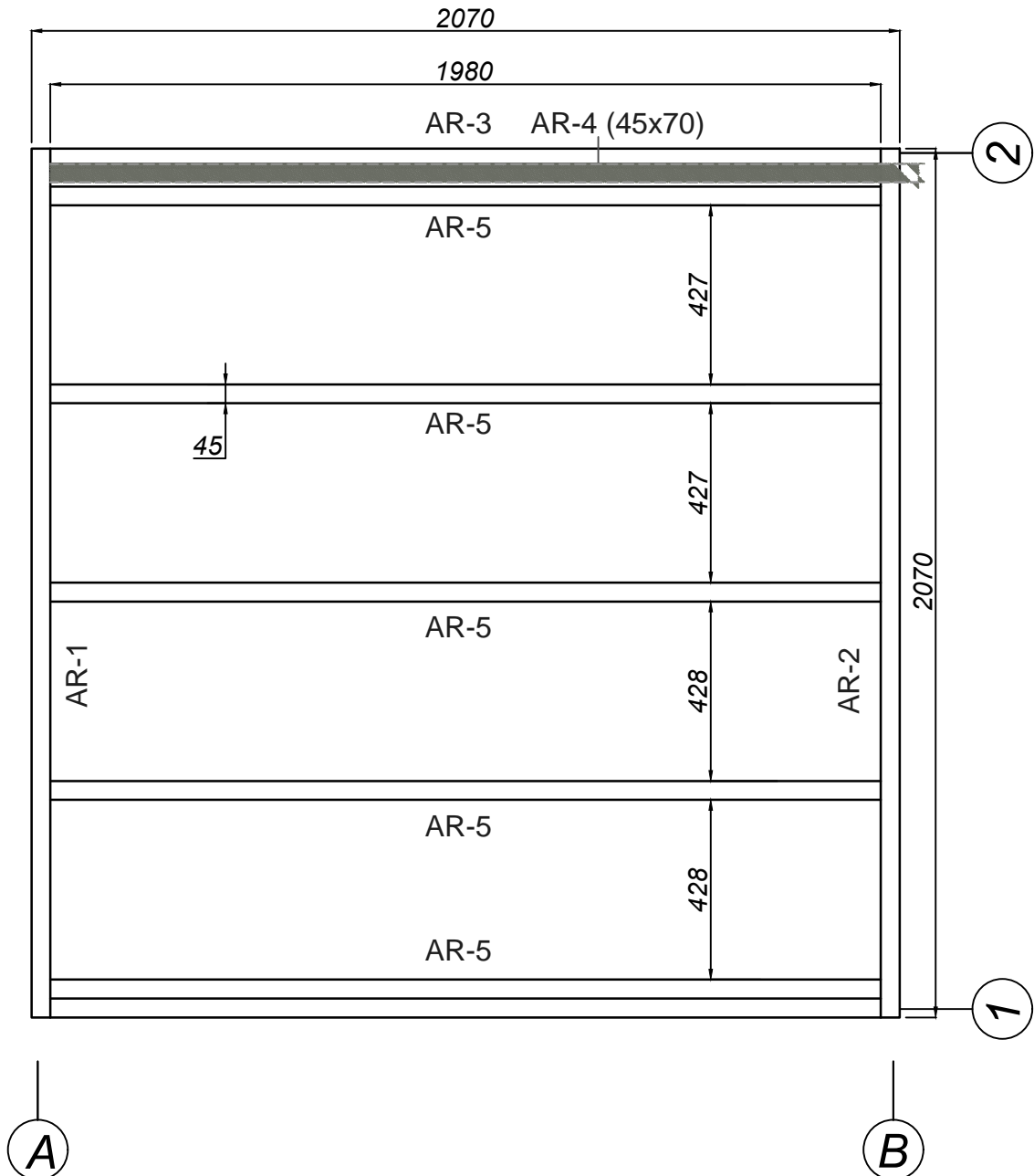
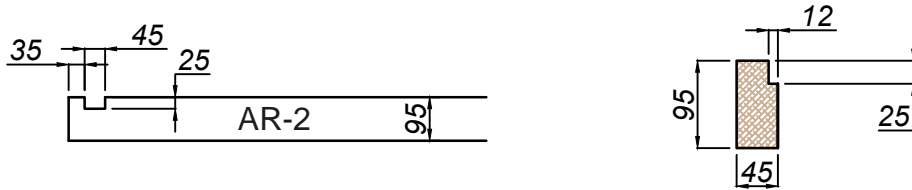


FLOOR FRAME 45x95

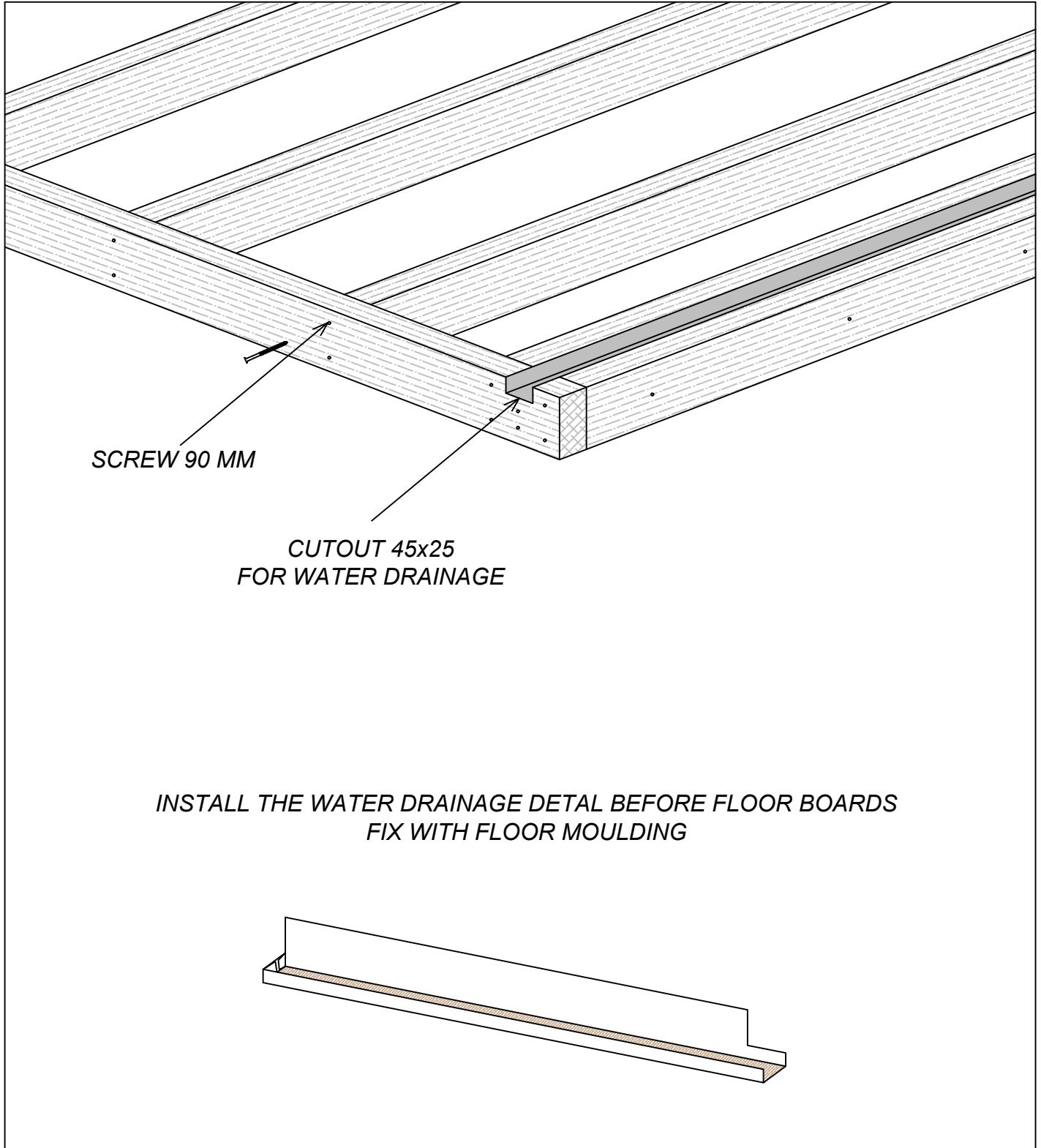
ADD DISTANCE BOARDS UNDER THE FLOOR BOARDS FOR FLOOR SLOPE



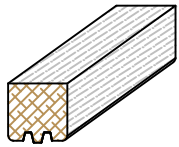
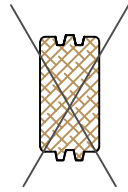
AR-3 CROSS-SECTION



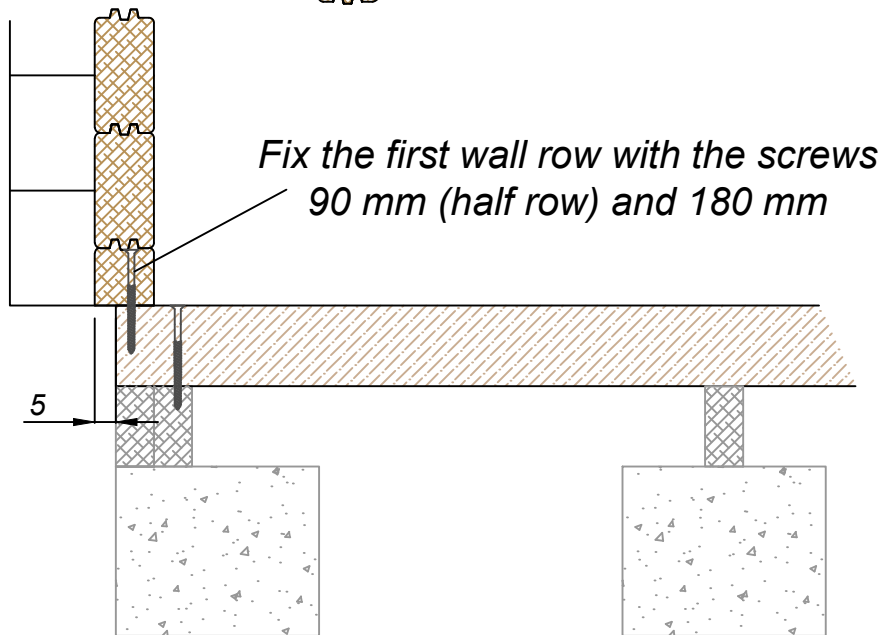
FLOOR FRAME



FIRST ROW



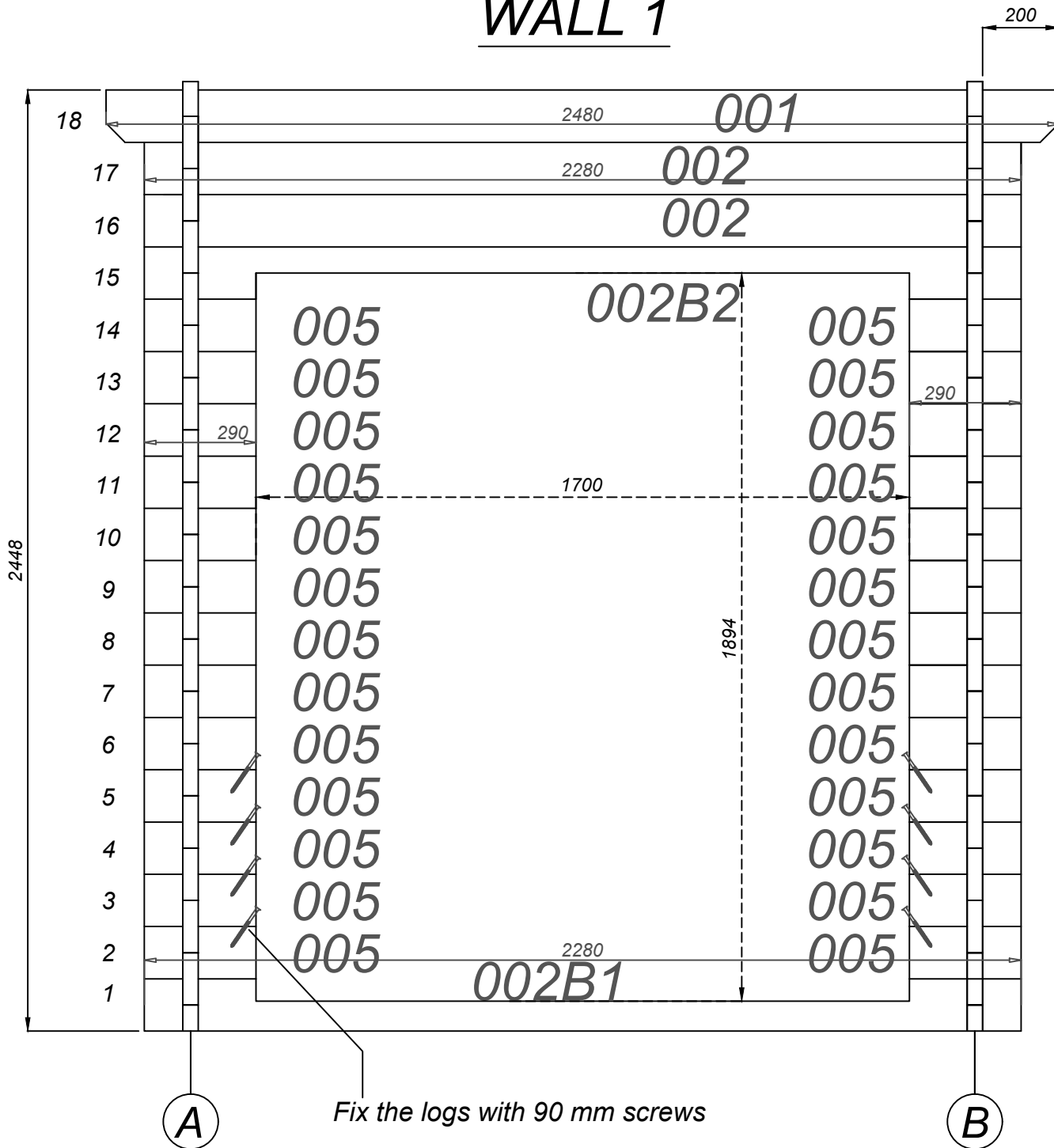
Use rubber hammer and hammer block



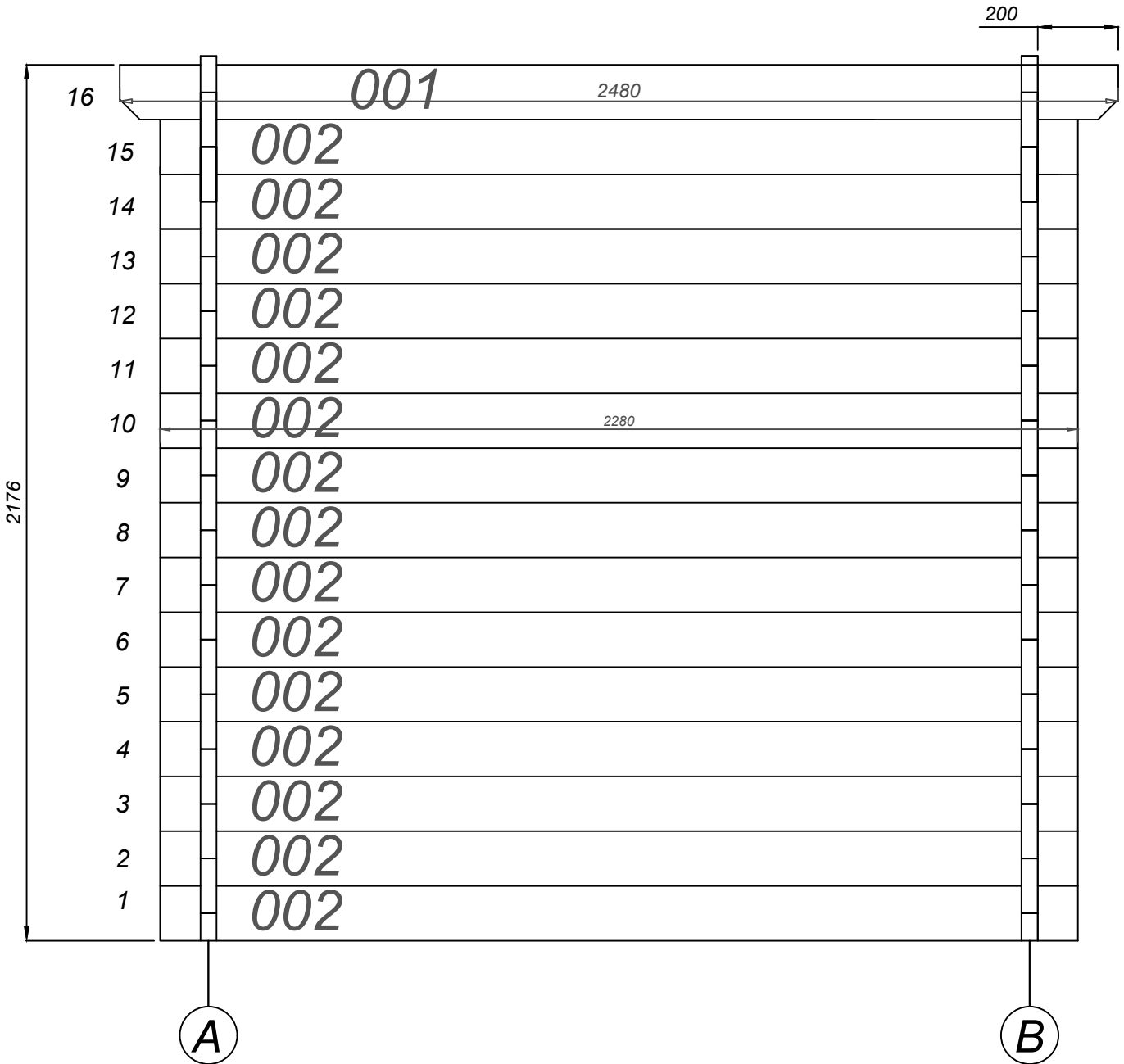
**IN EACH CONNECTION USE 90 MM STAINLESS SCREWS
(TO PROTECT THE BUILDING FOR WIND)**



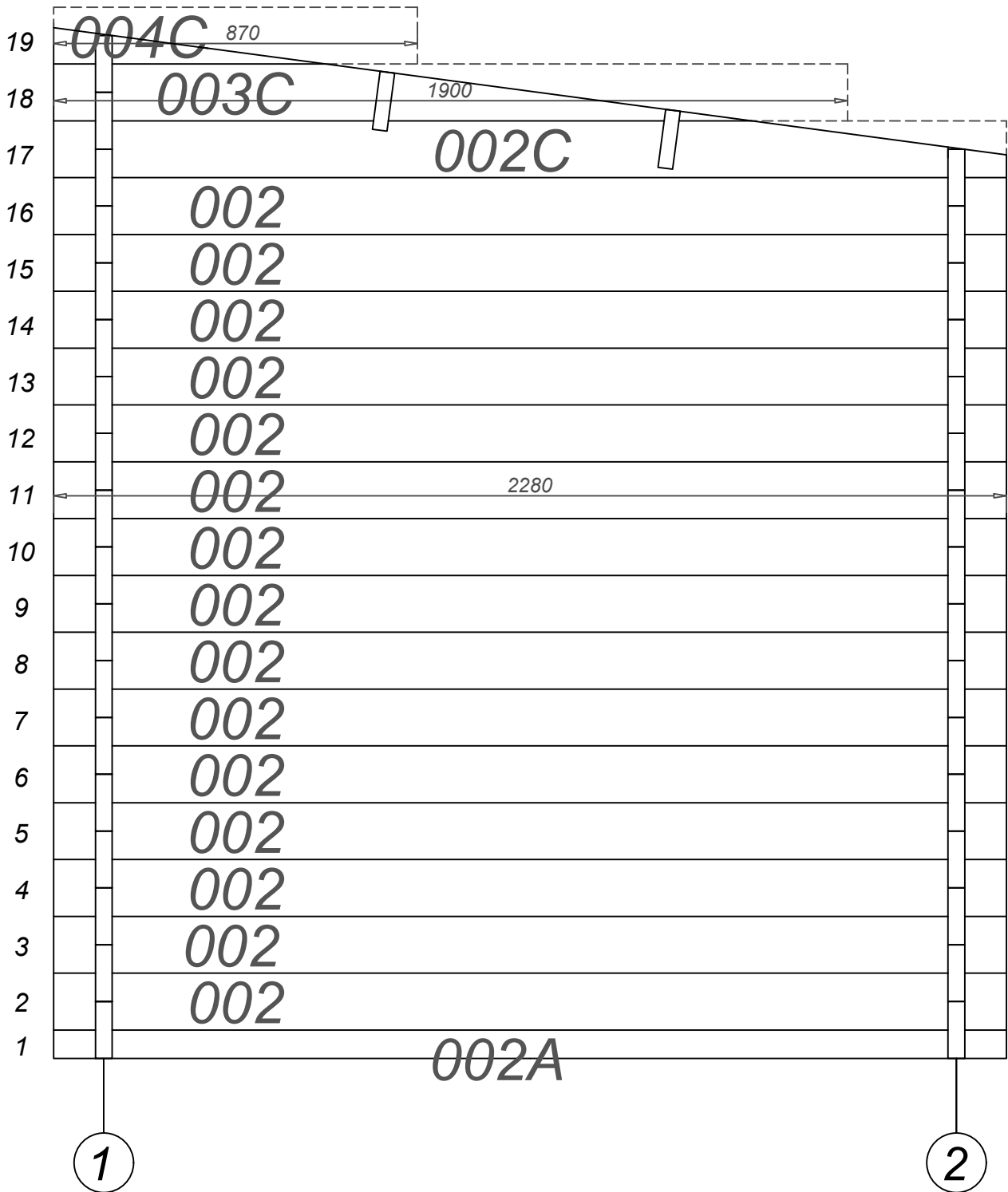
WALL 1



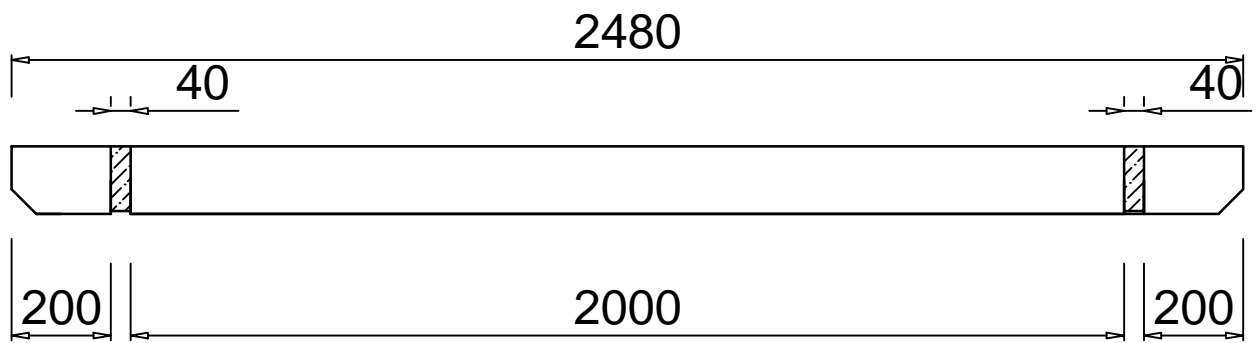
WALL 2



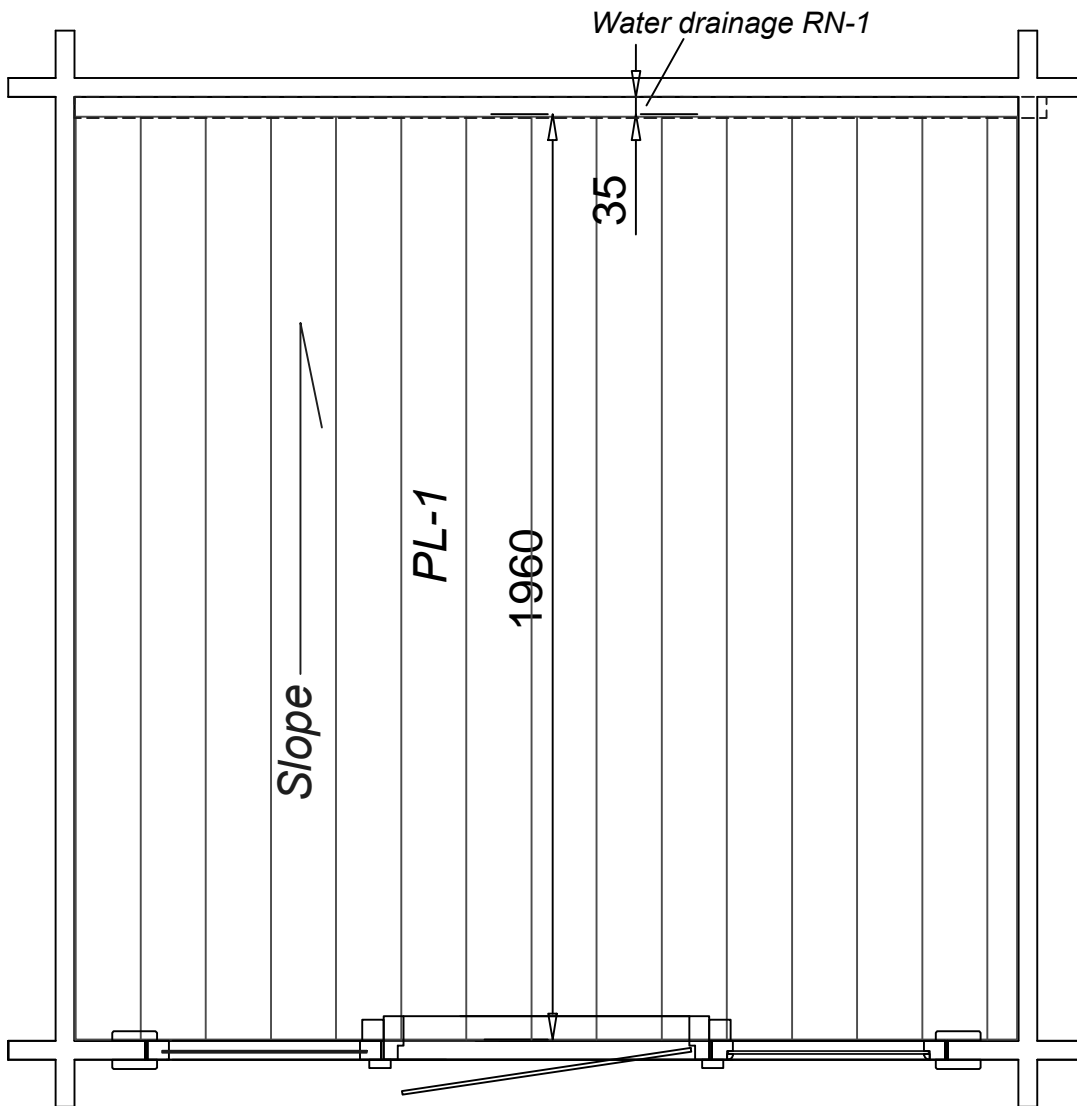
WALL A & WALL B



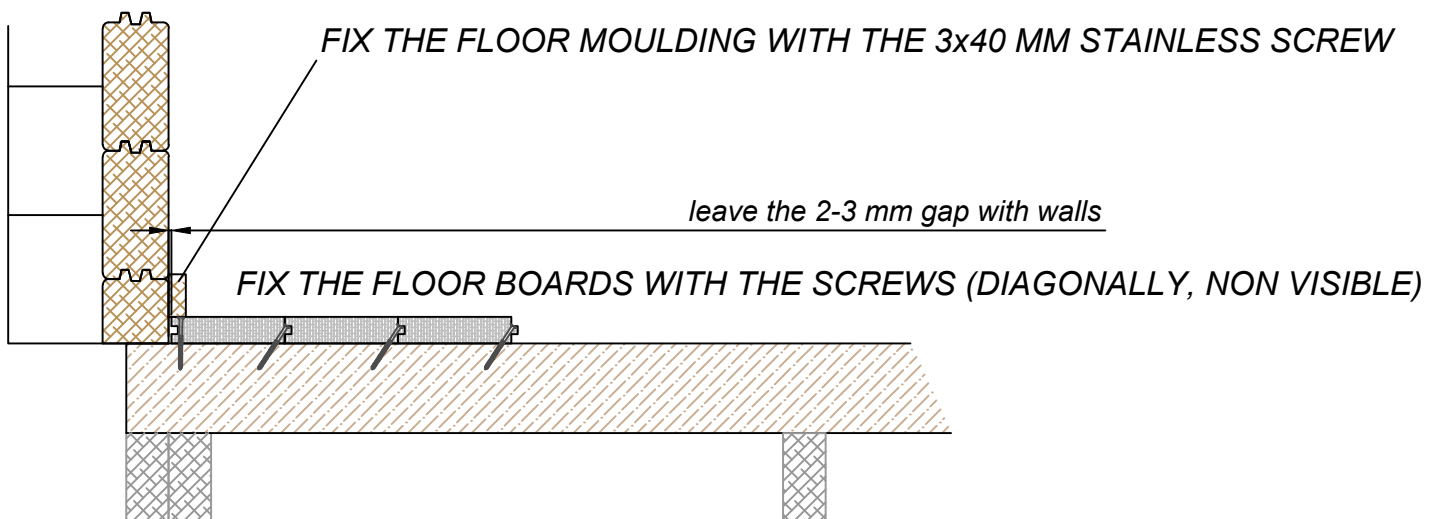
ROOF RAFTER SR-1 - 2 pcs



FLOOR BOARDS

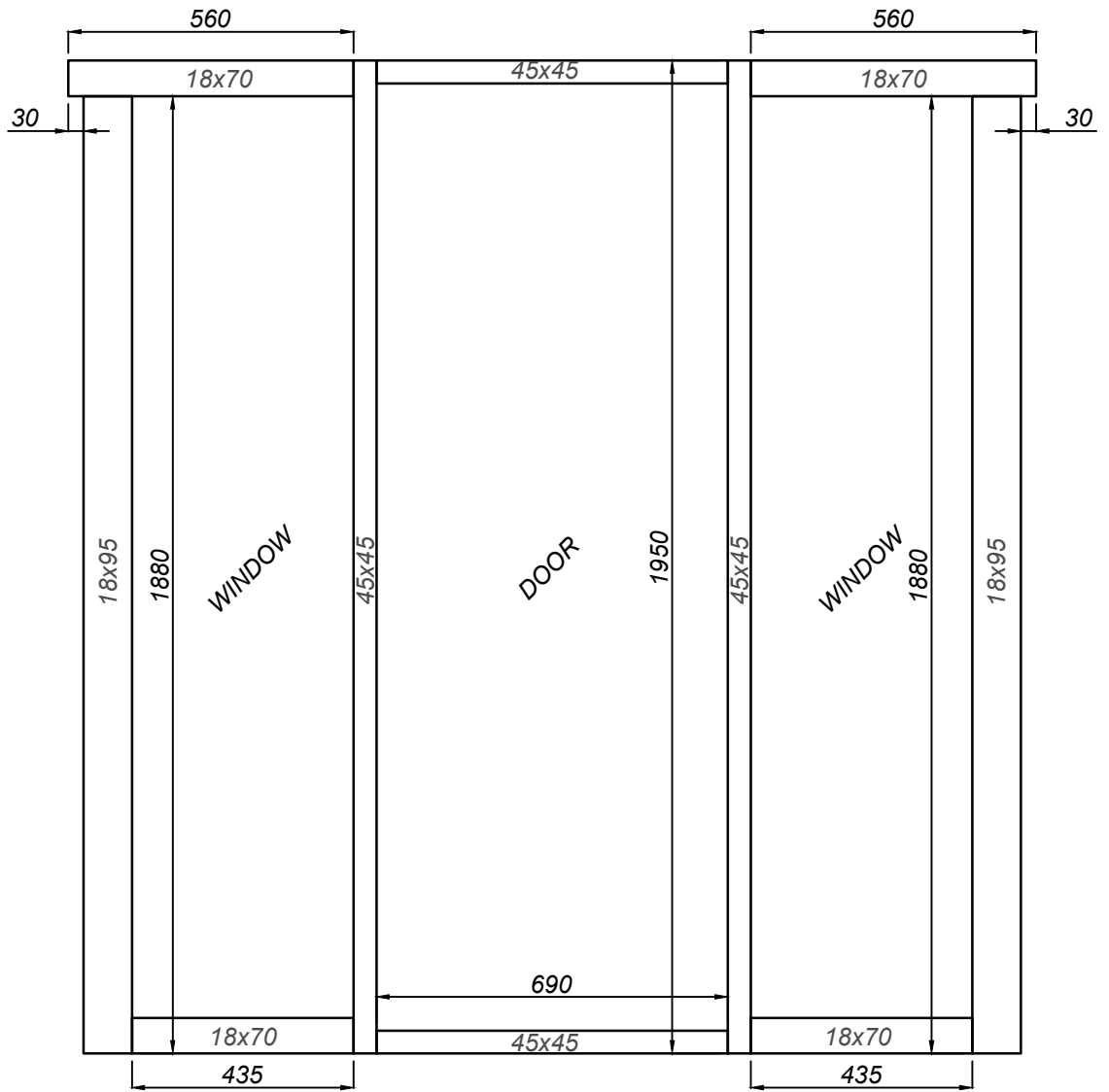
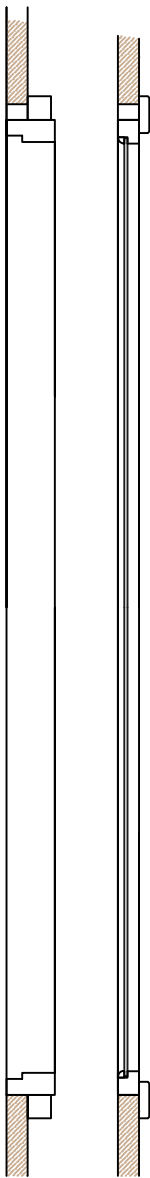
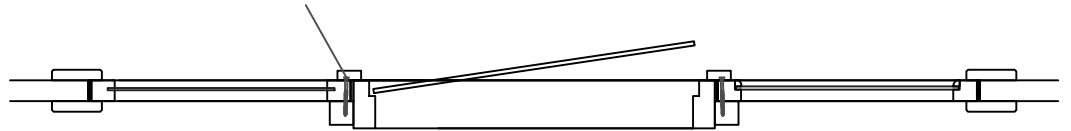


BEFORE THE FLOOR BOARD, INSTALL FLOOR SLOPE DETAILS



MOULDINGS FOR WINDOW AND DOOR INSIDE

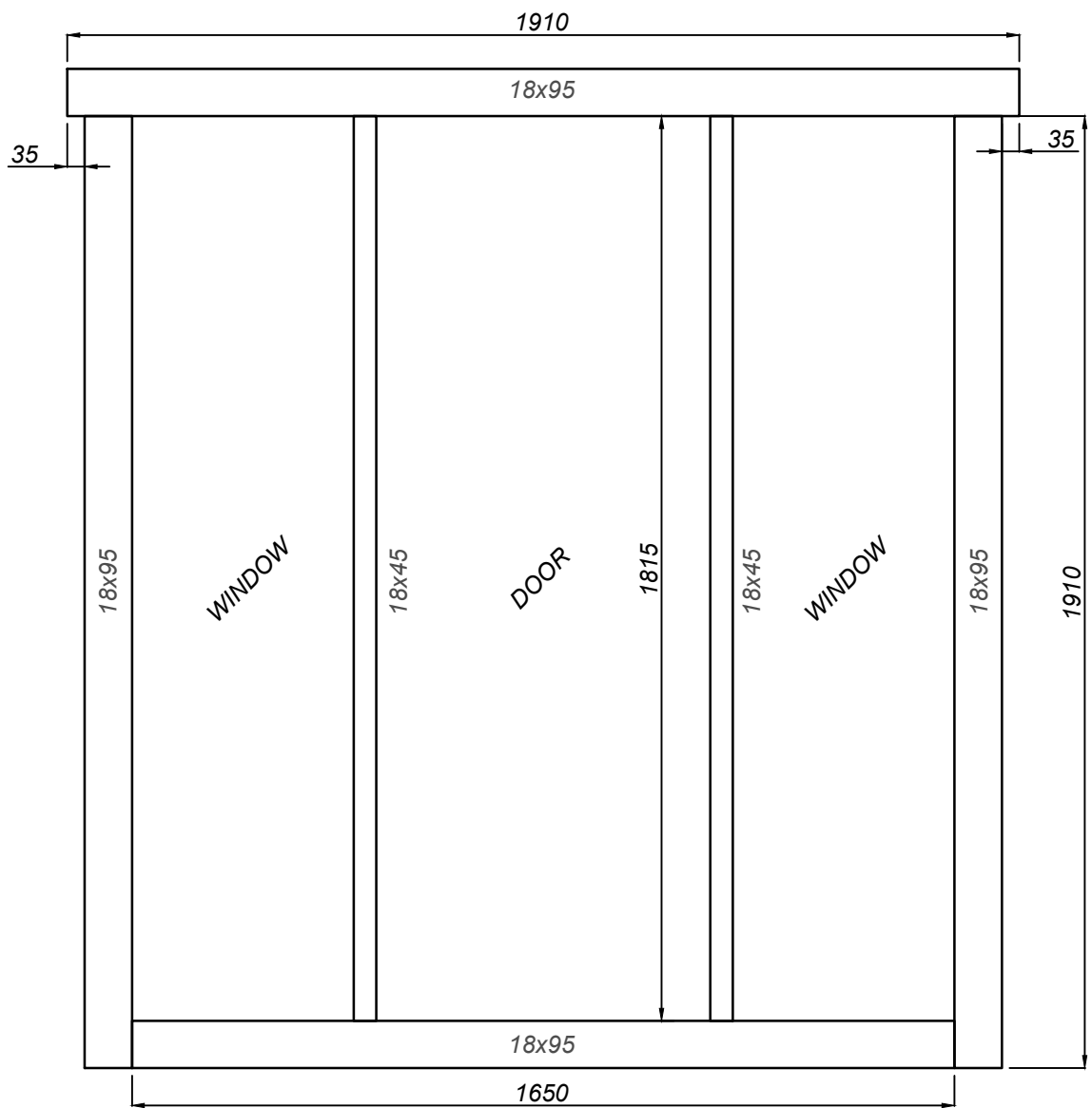
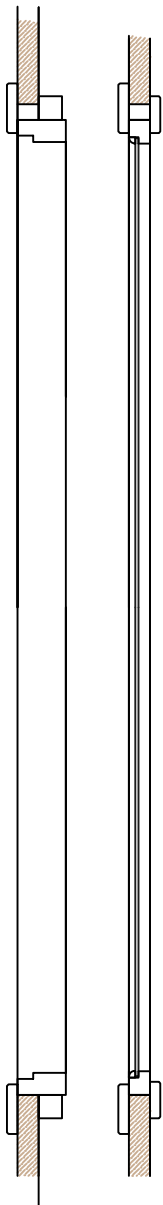
CONNECT THE WINDOW AND DOOR WITH SCREWS
THEN COVER THE SCREW WITH 18X45 MOULDING



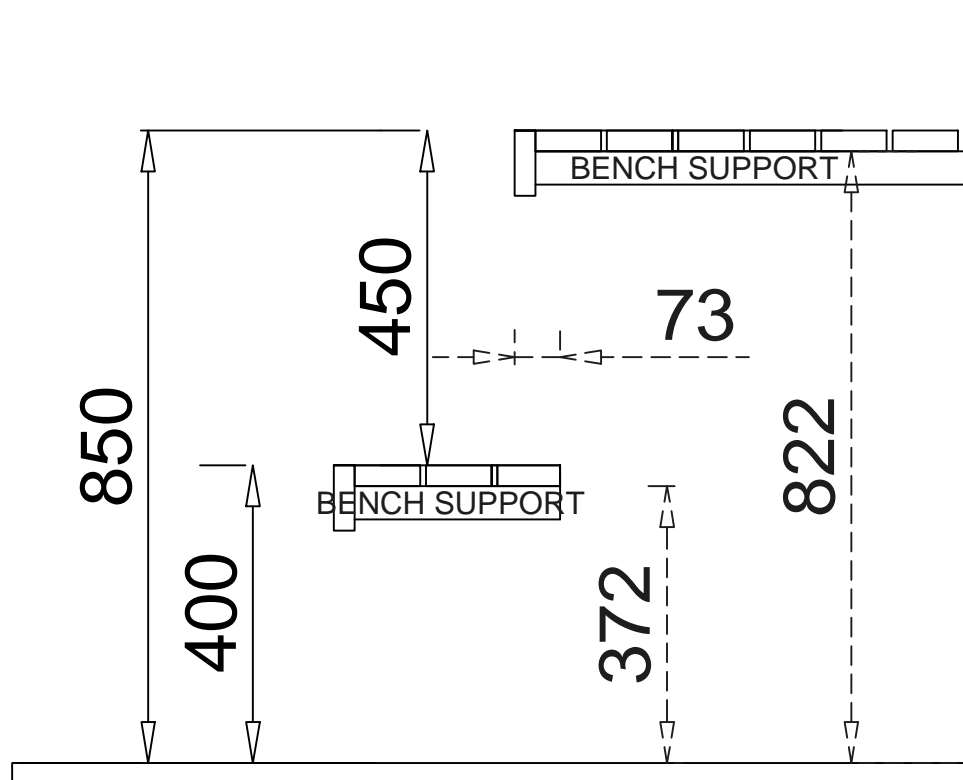
MOULDINGS FOR WINDOW AND DOOR OUTSIDE



CONNECT THE WINDOW AND DOOR WITH SCREWS
THEN COVER THE SCREW WITH 18X45 MOULDING



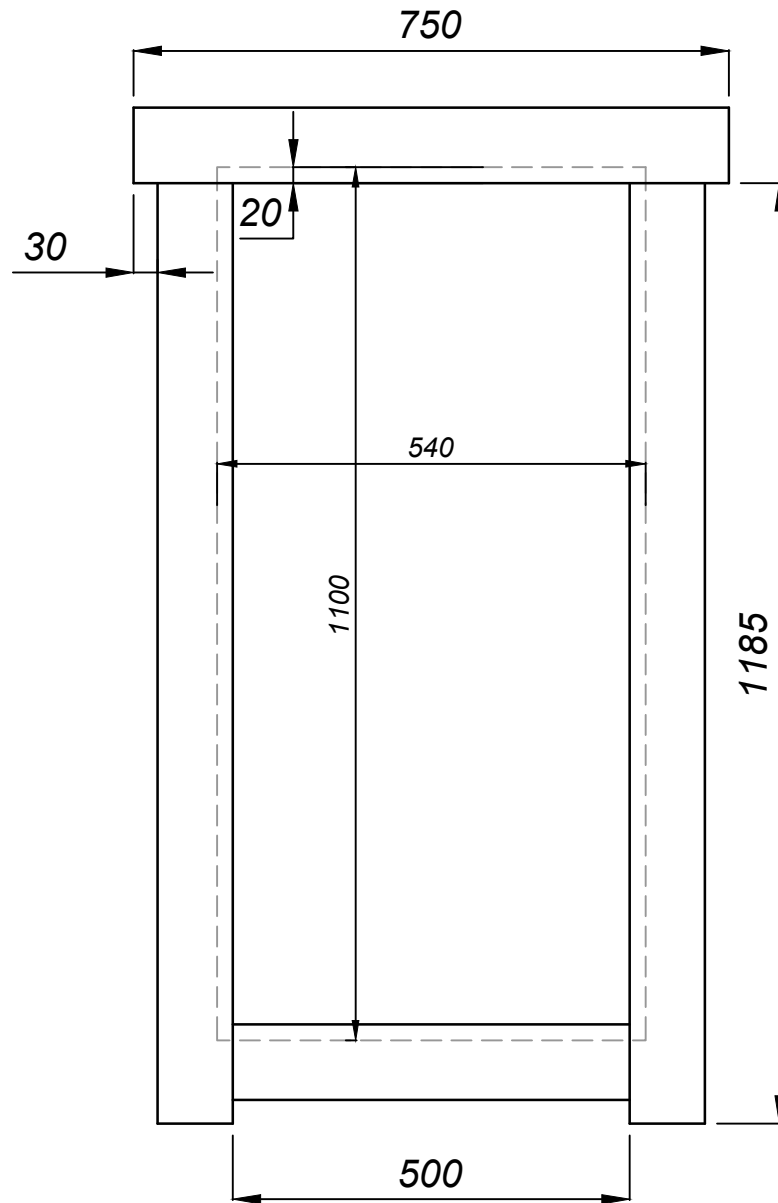
BENCH SET



1. FIRST FIX THE BENCH SUPPORTS TO THE WALL
2. THEN LIFT THE BENCHES ON TOP OF THEM
3. FIX THE BENCHES WITH THE 70 MM SCREWS TO THE WALLS AND SUPPORTS
4. USE VERTICAL SUPPORT TO SUPPORT THE BENCH FROM THE MIDDLE

OPTIONAL WINDOW 540x1100

MOULDINGS



THERE IS NO HOLE IN THE WALL FOR EXTRA WINDOW
CUT THE HOLE AFTER FINISHING THE WALL INSTALLATION

HOLE MEASURE 550x1140 MM

FIX THE WINDOW TO WALL WITH THE MOULDINGS